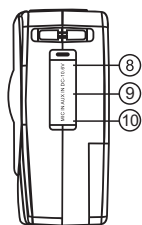
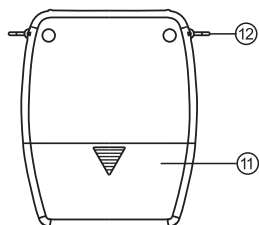
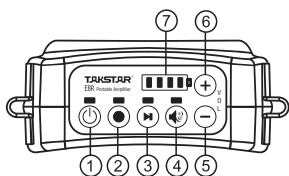


欢迎使用TAKSTAR便携式数字录音扩音器。本产品是专为户外活动等大功率场合设计的，采用数字技术，提供更长久的电池使用时间和大功率输出，是户外活动的理想选择。在使用之前，请仔细阅读说明书，以便能正确的操作，发挥本扩音器的理想性能。

产品特性

- 特殊的技术结构设计，产品具有防雨防粉尘功能，使产品质量更稳定耐用
- 全部功能采用MCU控制，全电子按键操作，尽享更方便的数码产品操作感受
- 采用class D数字扩音技术，低功耗，能输出高达18W的音频功率。
- MCU智能电池电量检测，能实时显示电池状态，使您能提前准备，确保工作可靠
- 采用优质的录放音芯片，录音时间长达一分钟，采样率达到16KHz，声音回放清晰自然
- 特设有混响功能，满足更多高要求扩音场合使用
- 内置MCU智能充电管理系统，具有双重放电保护功能，使电池处于安全可靠的模式下充放电，充电只需6小时
- 内置大容量耐久型锂离子电池，为该产品提供高电能的同时，减少废弃物的产生
- 灵活可变的多种佩挂方式,适应不同用户的个性需求
- 产品符合人体工学原理设计造型新颖，外观时尚，使用舒适

控制面板功能示意图



- ① 电源开关按键：长按1-2秒开机与关机
- ② 录音按键：按下该键，对应指示灯亮，进入录音状态，再按此键退出录音状态
- ③ 播放按键：按下该键，对应指示灯亮，播放当前已录制MIC与音乐信号，再次按此键退出
- ④ 混响按键：按下该键，对应指示灯亮，开启混响，再按一下退出
- ⑤ 音量调节按键：按“-”键声音减小至无声
- ⑥ 音量调节按键：按“+”键声音增大
- ⑦ 电池电量显示：在开机的状态下，按一下电源开关“①”，显示机内电池的电量，约3秒后自动熄灭，节省电能。充电时，该显示器将显示电池的充电进度，指示灯逐个流水点亮时，表示正在充电，指示灯全亮时表示已充满
- ⑧ 充电电源输入插孔：将标配的10.6V直流电源插入此孔进行充电
- ⑨ AUX 输入插孔：用随机配置的Φ3.5mm连接线，将DVD、MP3等音乐信号导入本扩音器可以作为有源音箱使用
- ⑩ MIC输入插孔：将附件头戴式麦克风插头插入此孔，进入扩音状态
- ⑪ 电池仓：内置7.4V/2000mAh大容量锂离子电池
- ⑫ 挂绳扣

技术参数

峰值输出功率：18W
 频率响应：100Hz-12kHz
 扬声器阻抗：4Ω
 录音时间：1分钟
 录音采样率：16kHz
 混响延时时间：110ms
 使用时间：约12小时
 充电时间：约6小时
 充电器规格：DC 10.6V/450mA
 电池规格：7.4V/2000mAh锂离子电池
 产品规格：125×105×55mm
 产品重量：400g

使用说明

- 1.将头戴麦克风正确地佩戴在头部，并调整好麦克风的拾音角度
- 2.将Φ3.5mm的麦克风插头插入麦克风输入孔内
- 3.打开电源，电源指示灯亮，调整音量按键到合适的音量大小

电池的使用和安全须知

- 1.E8R扩音器由锂离子电池供电，电池有使用寿命限制，当工作时间明显缩短时，请更换电池
- 2.过高或过低的温度都会影响电池的充电效果，请将电池充电的环境温度保持在0-45℃
- 3.请不要擅自从扩音器内取出电池挪作其它用途，更不要将电池掷入火中或水中
- 4.电池属于易耗品，不在保修范围之内，更换电池时，请使用厂家电池
- 5.请注意不要使电池发生短路（避免与项链、钥匙、发夹、导线等金属物放置在一起），也不要使用其它充电器或已受损电池
- 6.请正确处理废弃电池，不要将其直接投入垃圾桶
- 7.不要让儿童接触电池，并将电池当做玩具
- 8.不要捶打、抛掷电池，避免猛烈撞击电池

注意事项

- 1.长时间不使用时应将电池充满电
- 2.当低电量时应及时充电
- 3.请不要将外部的音源信号(如DVD、MP3等)从MIC插孔输入，以免声音幅度过大而失真
- 4.为了确保充电器的性能，请使用本机配置的DC 10.6V/450mA专用充电器供电
- 5.为了达到良好效果，请对准头戴麦克风的咪芯(1-2cm)处发音，以防方向不正引起啸叫
- 6.禁止对非充电电池进行充电
- 7.非专业技术人员请不要擅自拆机改装或维修；如有问题或服务需求请联系当地经销商

标准配置



广东得胜电子有限公司

地址：广东省惠州市博罗县龙溪镇富康一路2号
 传真：0752-6383950

电话：400 6828 333
 邮箱：xs@takstar.com

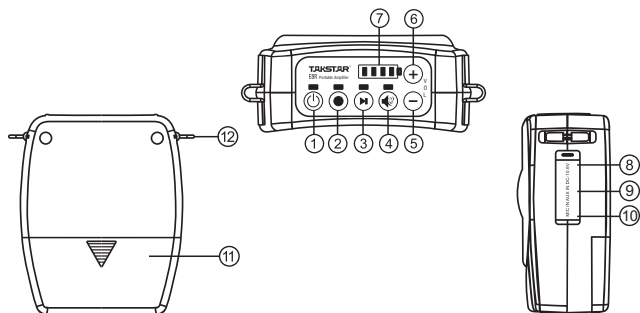
邮编：516121
 网址：www.takstar.com

Welcome to use TAKSTAR portable digital voice amplifier. This product is ideal for outdoor PA because of the excellent digital technology, long battery playtime and high output power. Please read this user manual detailedly before using to make sure the correct operation and exert the optimum function.

Features

- Special construction for water-proof and dust-proof
- MCU function control, touch switch operation
- Class D digital amplification module for low power consumption and high output power up to 18W
- MCU intelligent power level inspection for actual battery power condition indication
- High-quality recording/play chip features 1min recording time, 16kHz sampling rate as well as clear and natural playback
- Reverberation function for multiple application
- Built-in MCU intelligent recharging management system for secure recharge & discharge and fast recharging time (only 6hrs)
- Built-in high capacity lithium-ion battery
- Multiple wearing choices for convenient use
- Unique and fashionable design

Function Illustration



- ① Power on/off switch: press one to two seconds for on or off
- ② Recording button: press the button and the indicator will light, it means the amplifier is under recording status; press the button again, the recording is finished (Remark: repeating recording will cover the previous file)
- ③ Music play function: press the button and indicator will light, the amplifier will play the MIC or music signal it has recorded; press the button again, the playing is finished
- ④ Reverberation button: press the button and the indicator will light, it means the reverberation is on; press the button again, the reverberation is off
- ⑤ Volume adjusting button: press “-” for low volume until silence
- ⑥ Volume adjusting button: press “+” for loud volume
- ⑦ Battery power level indicator: when the amplifier is turned on, short press it will indicate the battery power level and automatically extinguish after three seconds to save the power; when being recharged, it indicates the recharging status; when indicators light one after another, it means it is being recharged; when indicators all light, it means recharging is finished
- ⑧ DC 10.6V power adaptor socket
- ⑨ AUX input socket: use the audio cable supplied by this amplifier to connect the music signal such as DVD, MP3 with the amplifier
- ⑩ Microphone input socket: plug in the headworn microphone into this socket
- ⑪ Battery compartment: built-in 7.4V/2000mAh lithium-ion battery
- ⑫ Rope buckle

Specification

Max. Output Power: 18W
 Frequency Response: 100Hz-12kHz
 Output Impedance: 4Ω

Recording Time: 1min
 Recording Sampling Rate: 16kHz
 Reverb Delay Time: 110ms
 Playtime: 12hrs
 Recharging Time: 6hrs
 Power Adaptor: DC 10.6V/450mA
 Battery Specification: 7.4V/2000mAh lithium-ion battery
 Product Dimension: 125 × 105 × 55 mm
 Net Weight: 400g

Operation Instruction

1. Wear the headworn microphone correctly and adjust the suitable microphone pick-up angle
2. Insert the Φ3.5mm microphone plug into the MIC input socket
3. Turn on the power, the power indicator will light, then adjust the volume

Caution for Batteries

1. E8R voice amplifier is powered by lithium-ion battery, the battery life time has limit, please change the battery when the playtime is obviously shortened
2. Extreme high or low temperature will influence the battery recharge effect, please keep the environment temperature at 0-45°C for battery charging
3. Don't use the battery of this amplifier for other usage or throw it into fire or water
4. Battery belongs to consumption part, it is not within the after-service range, please use the battery supplied by manufacturer when you want to change the battery
5. Avoid making the battery short (don't put the battery with the metal part such as necklace, key, barrette, lead wine etc.), don't use other power adaptor or damaged battery
6. Please dispose the abandoned battery correctly, do not throw it into the trash can directly
7. Children are not allowed to contact with the battery or play it
8. Do not thump or sling the battery

Caution

1. Please full recharge the batteries if long time no use
2. Recharge timely when low battery power
3. Don't insert external audio signal such as DVD or Mp3 into the MIC socket to avoid distortion due to extreme high voice
4. Please use DC 10.6V/450mA power adaptor supplied with this amplifier to make sure the best recharging function
5. Aim at headworn mic capsule when speaking and keep the distance between vocal and mic at 1-2cm to avoid howling
6. Recharge for non-rechargeable battery is prohibited
7. Non-professional technician is not allowed to disassemble or repair the product, please contact the local agent if there is any question or service requirement

Standard Configuration

E8R recording amplifier	HM-700 Headworn mic	Rope
Li-ion battery (built-in)	Audio connecting cable	User manual
		Power adaptor